



Industry

HIGH POWER SEMICONDUCTOR

(주)에코세미텍

SMPS

Charger

Welding
Machine

Solar
Power

UPS









IGBT Modules

600V Series

	Package	Part Number	V _{CES} [V]	I _C [A] @ 80°C	V _{CES(sat)} [V] @ 25°C	t _F [ns] @ 25°C	Circuit
High Speed		ESJ 75 SH 60A	600	75 x 2	2.60	40	2-Pack
		ESJ 100 SH 60A	600	100 x 2	2.60	50	2-Pack
		ESJ 150 SH 60A	600	150 x 2	2.60	60	2-Pack
		ESJ 200 SH 60A	600	200 x 2	2.60	70	2-Pack
FD8		ESM 150 SH 60A	600	150 x 2	2.60	60	2-Pack
		ESM 200 SH 60A	600	200 x 2	2.60	70	2-Pack
FD9		ESK 150 SH 60A	600	150 x 2	2.60	60	2-Pack
		ESK 200 SH 60A	600	200 x 2	2.60	70	2-Pack
		ESK 300 SH 60A	600	300 x 2	1.90	80	2-Pack
Standard		ESJ 75 SH 60N	600	75 x 2	1.95	60	2-Pack
		ESJ 100 SH 60N	600	100 x 2	1.95	70	2-Pack
		ESJ 150 SH 60N	600	150 x 2	1.95	80	2-Pack
		ESJ 200 SH 60N	600	200 x 2	1.95	90	2-Pack
FD8		ESM 150 SH 60N	600	150 x 2	1.95	80	2-Pack
		ESM 200 SH 60N	600	200 x 2	1.95	90	2-Pack
FD9		ESK 150 SH 60N	600	150 x 2	1.95	80	2-Pack
		ESK 200 SH 60N	600	200 x 2	1.95	90	2-Pack
		ESK 300 SH 60N	600	300 x 2	1.95	100	2-Pack

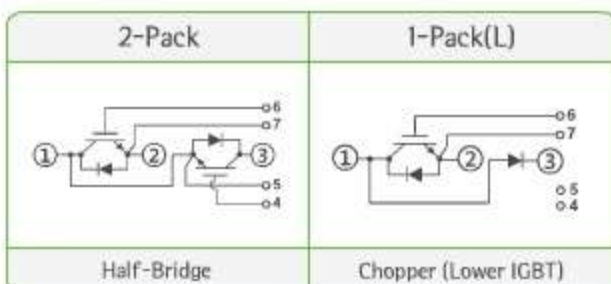
Final electrical specification can be changed.

1200V Series

	Package	Part Number	V _{CES} [V]	I _C [A] @ 80°C	V _{CES(sat)} [V] @ 25°C	t _F [ns] @ 25°C	Circuit
High Speed		ESJ 75 SH 120A	1200	75 x 2	3.20	40	2-Pack
		ESJ 100 SH 120A	1200	100 x 2	3.20	50	2-Pack
		ESM 100 SH 120A	1200	100 x 2	3.20	50	2-Pack
		ESM 150 SH 120A	1200	150 x 2	3.20	50	2-Pack
FD9		ESK 100 SH 120A	1200	100 x 2	3.20	50	2-Pack
		ESK 150 SH 120A	1200	150 x 2	3.20	50	2-Pack
		ESK 200 SH 120A	1200	200 x 2	3.20	60	2-Pack
FD7		ESJ 75 SH 120N	1200	75 x 2	1.80	60	2-Pack
		ESJ 100 SH 120N	1200	100 x 2	1.80	70	2-Pack
FD8		ESM 100 SH 120N	1200	100 x 2	1.80	70	2-Pack
		ESM 150 SH 120N	1200	150 x 2	1.80	80	2-Pack
FD9		ESK 100 SH 120N	1200	100 x 2	1.80	70	2-Pack
		ESK 150 SH 120N	1200	150 x 2	1.80	80	2-Pack
		ESK 200 SH 120N	1200	200 x 2	1.80	90	2-Pack
		ESK 300 SH 120N	1200	300 x 2	1.80	100	2-Pack

Final electrical specification can be changed.

Circuit



Package

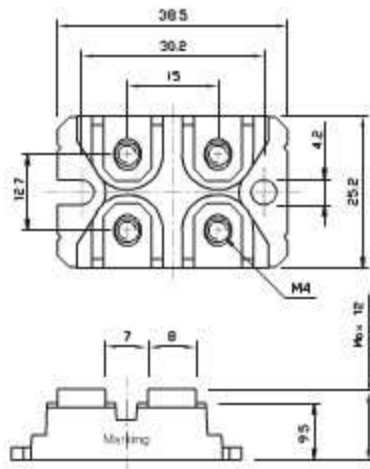
FD7	FD8	FD9
		
93(W) x 35(L) x 31(H)	95(W) x 48(L) x 31(H)	108.3(W) x 62.3(L) x 31(H)

* Chopper modules could be manufactured as out IGBT line-up list. (L : Lower IGBT, R : Upper IGBT)

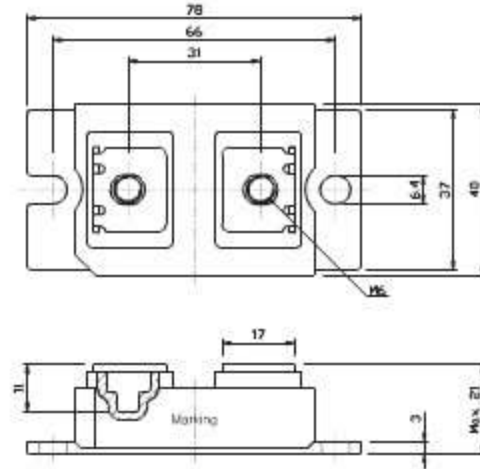


Unit : mm

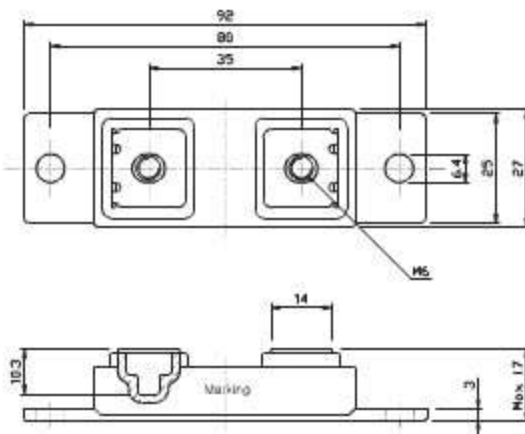
:: SOT-227



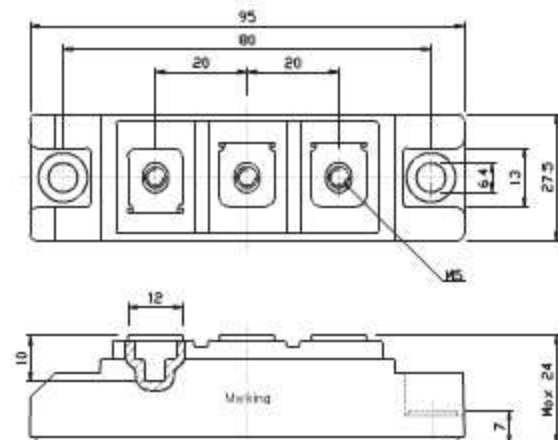
:: FD2



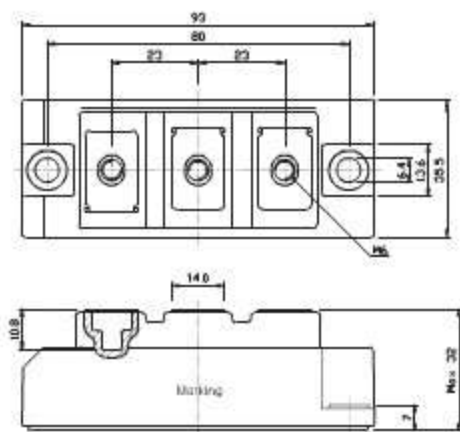
:: FD3



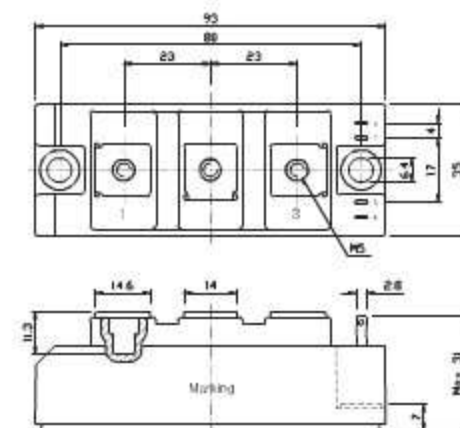
:: FD4



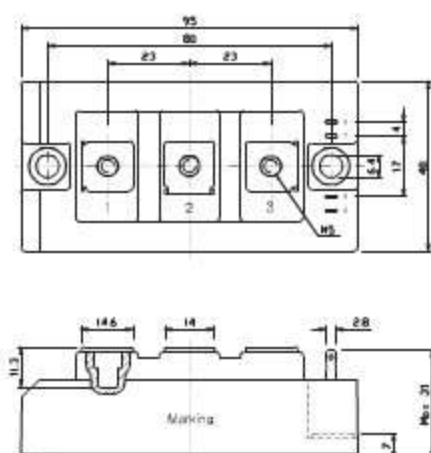
:: FD5



:: FD7



:: FD8



:: FD9

