



PRODUCT CATALOG

2018

www.electronicasemiconductors.com



EY TSA

Instrumentación para la Automatización

Electronica Y Temporizadores

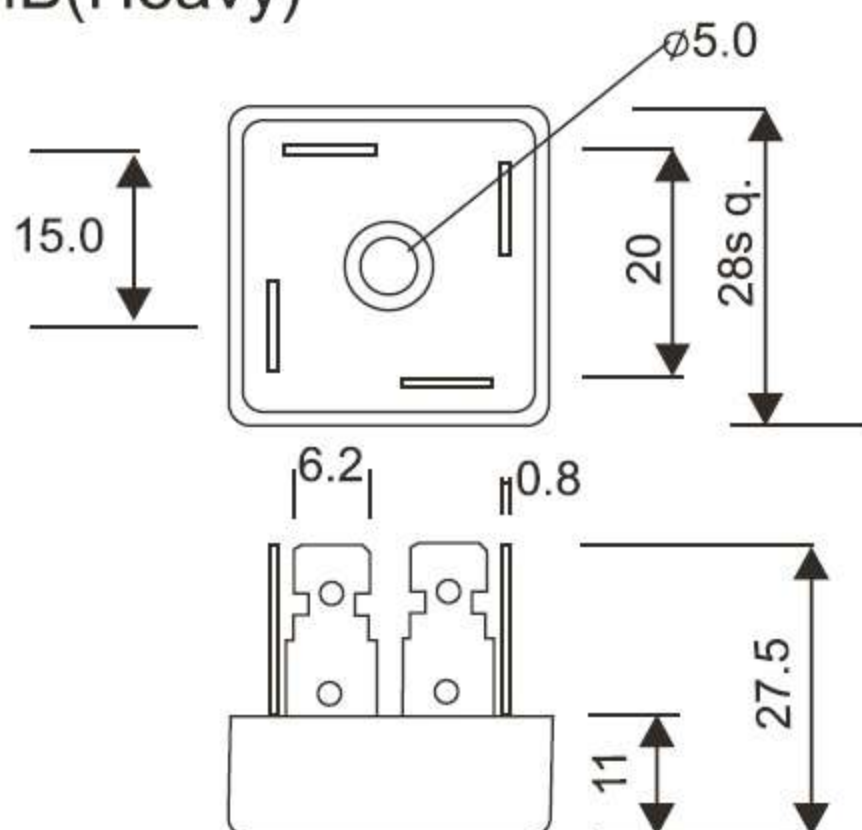
BRIDGE RECTIFIERS

// SINGLE PHASE SQUARE TYPE //

Device Type	V_{RRM} (V)	$I_{T(AV)}$ (A)	T_C (°C)	V_{FM} (V)	I_{FM} (I)	I_{FSM} (A)	I^2t A ² s	I_{ERM} (mA)	T_{VJ} (°C)	$R_{th(j-c)}$ (°C/W)	Package	Out-line
MB 25	1000-1600	25	85	1.17	25	350	600	2.0	125	1.2	ALU.	ES-10,ES-11,ES-12,ES-13
MB 35	1000-1600	35	85	1.17	35	370	680	5.0	125	1.2	ALU. BLACK	ES-10,ES-11,ES-12,ES-13
MBK 35	1000-1600	35	85	1.17	35	370	680	5.0	125	1.2	THIN BASE	***
MBG 35	1000-1600	35	85	1.17	35	500	680	5.0	125	1.2	GOLD TYPE	***
MB 35W	1000-1600	35	85	1.17	35	370	680	5.0	125	1.2	WIRE TYPE	***
MB 50	1000-1600	50	85	1.17	50	500	1250	7.0	125	1.1	ALU. BLACK	ES-10,ES-11
MBG 50	1000-1600	50	85	1.17	50	500	1250	7.0	125	1.1	ALU. BLACK	ES-10,ES-11

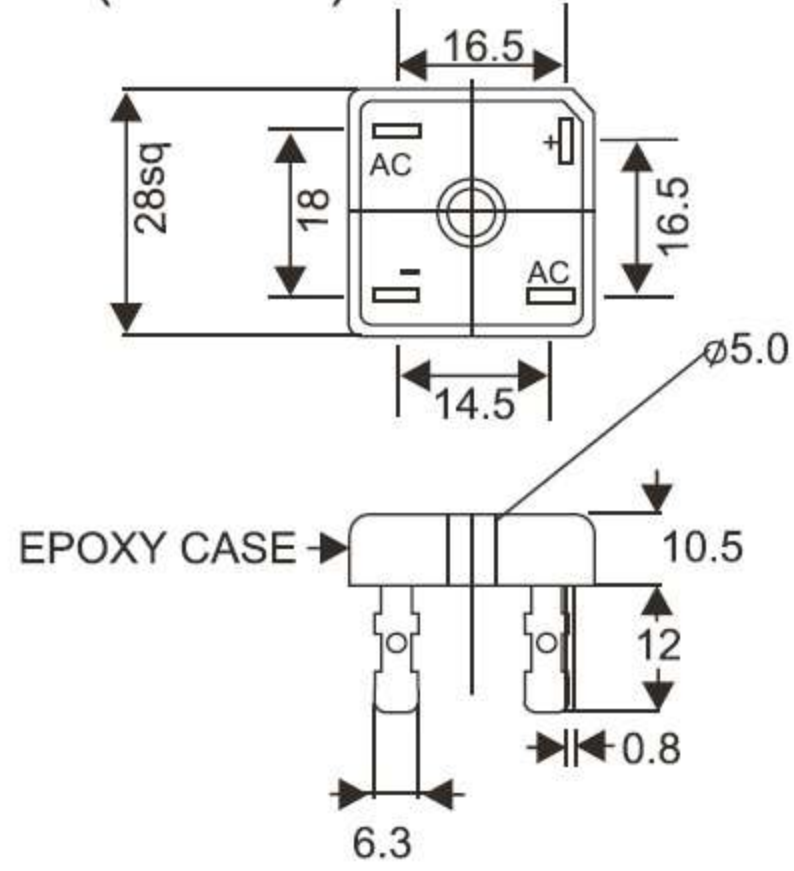


MB(Heavy)



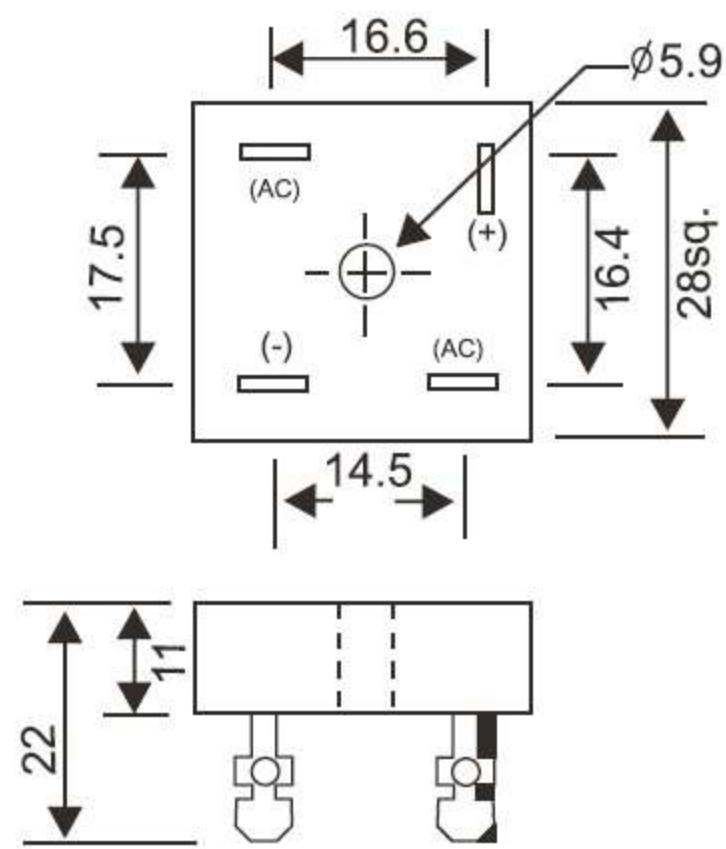
ES 10

MB(G/Black)



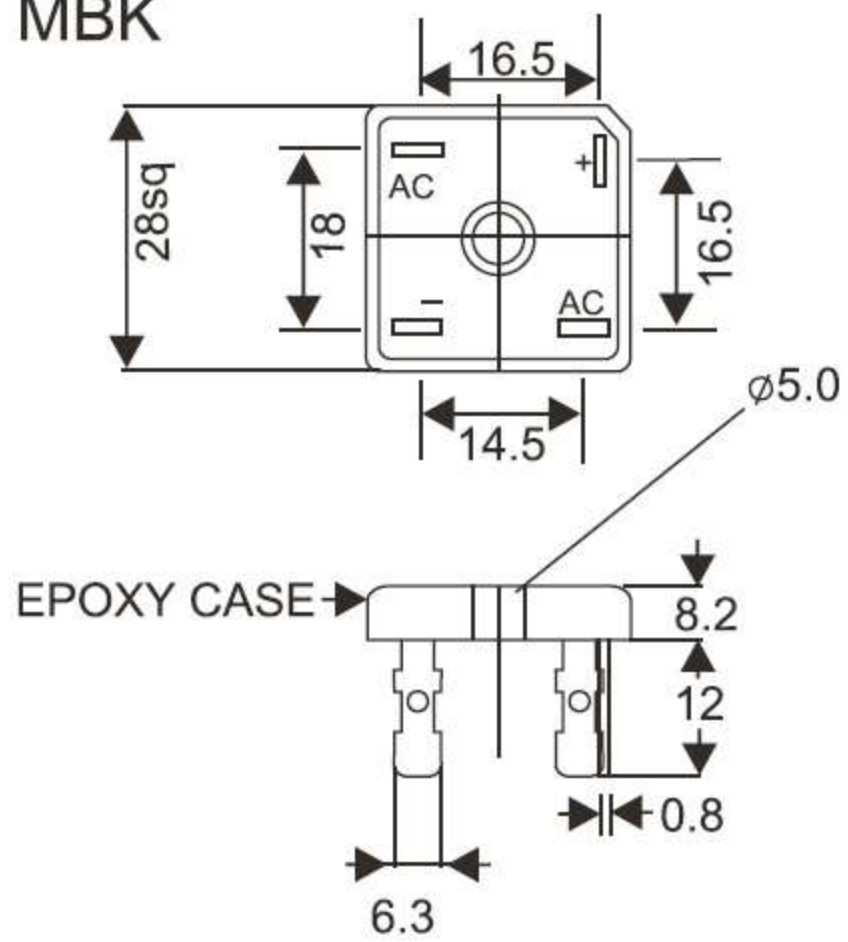
ES 11

MB(Metallic)



ES 12

MBK

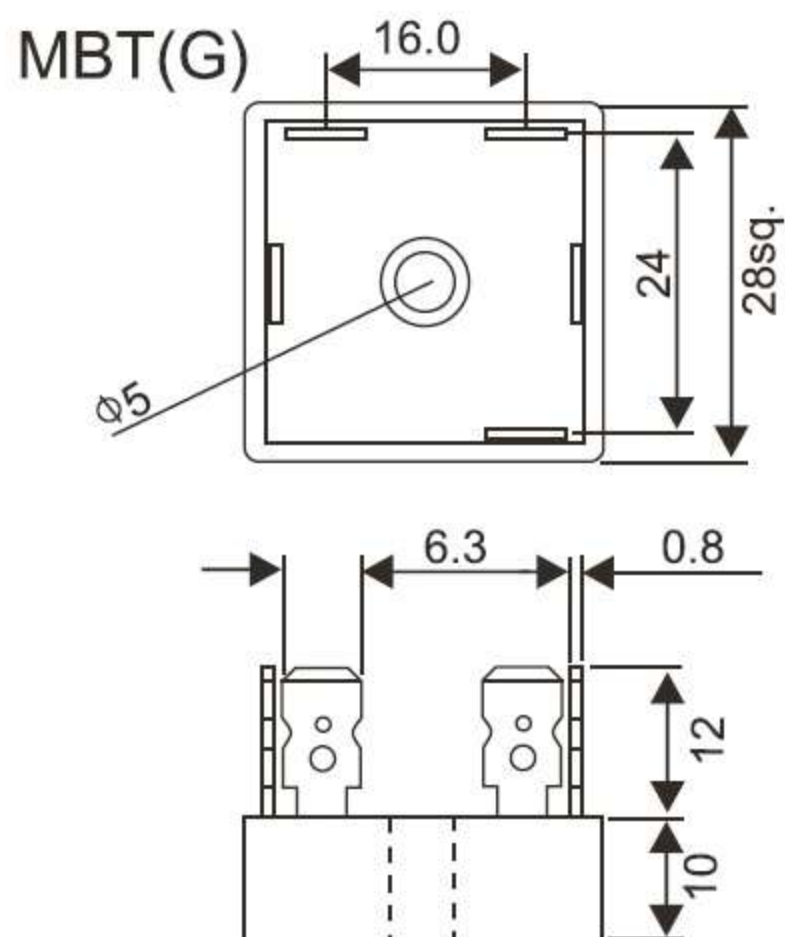


ES 13

BRIDGE RECTIFIERS

// THREE PHASE SQUARE TYPE //

Device Type	V_{RRM} (V)	$I_{T(AV)}$ (A)	T_C (°C)	V_{FM} (V)	I_{FM} (I)	I_{FSM} (A)	I^2t A ² s	I_{RRM} (mA)	T_{VJ} (°C)	$R_{th(j-c)}$ (°C/W)	Out-line
MBT 35 (G)	1000-1600	35	78	1.20	20	450	840	5.0	150	0.9	ES-14
MBT 35(S)	1000-1600	50	80	1.20	25	500	1000	7.0	150	0.5	ES-14
MBT 50 (G)	1000-1600	50	80	1.20	25	500	1000	7.0	150	0.5	ES-14

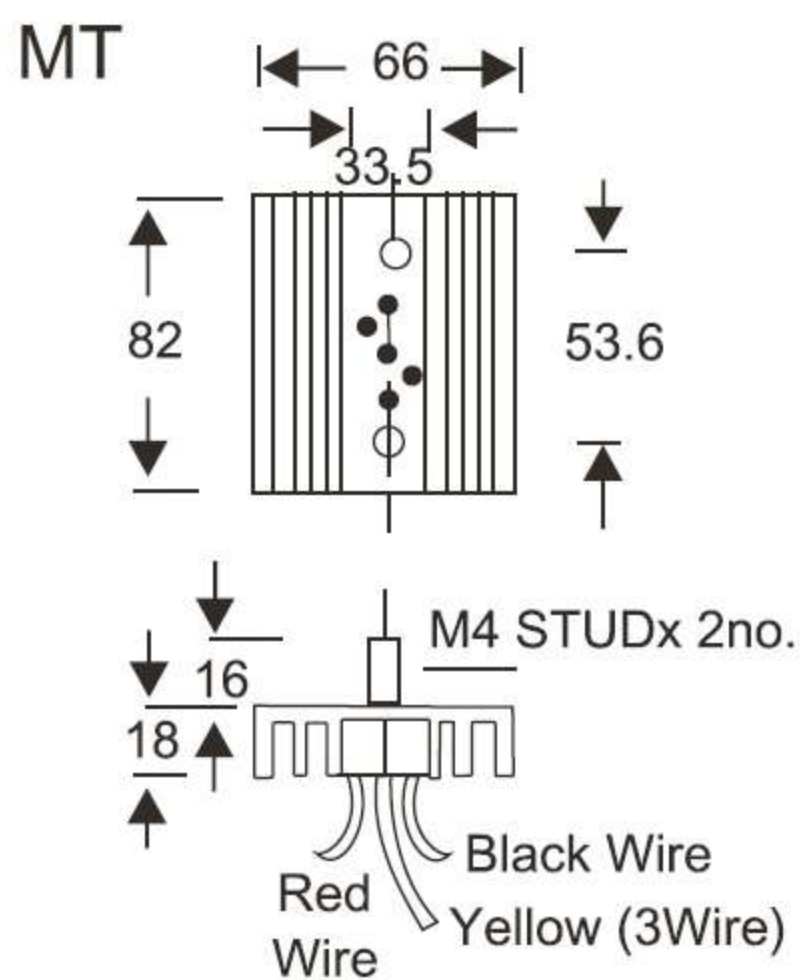


ES 14

MOULDED RECTIFIERS FOR GENERATORS

// SINGLE PHASE & THREE PHASE //

Device Type	V_{RRM} (V)	$I_{T(AV)}$ (A)	T_c (°C)	I_{FSM} (A)	I^2t A ² s	I_{RRM} (mA)	T_{vj} (°C)	Out-line
MB-16	1000	16	55	230	288	1.0	125	ES-15
MT- 6	2000	6	55	100	50	0.5	125	ES-15
MT- 10	2000	10	55	150	113	0.5	125	ES-16
MT- 16	2000	16	55	230	288	1.0	125	ES-16



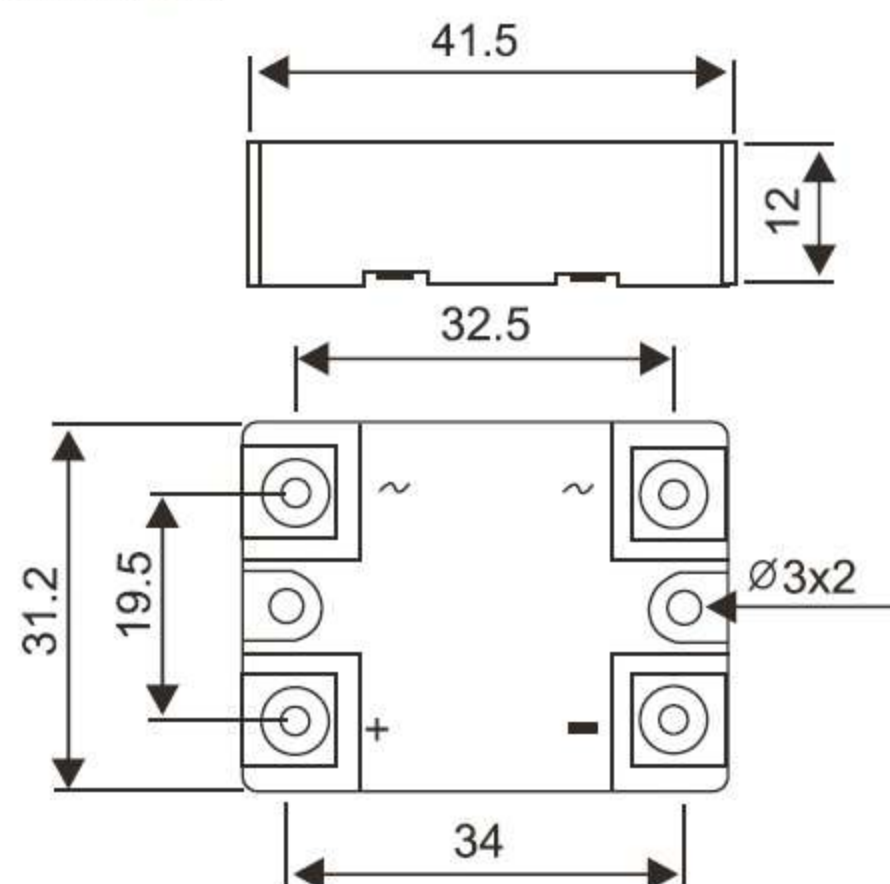
ES 15

MONO BLOCK BRIDGE RECTIFIERS

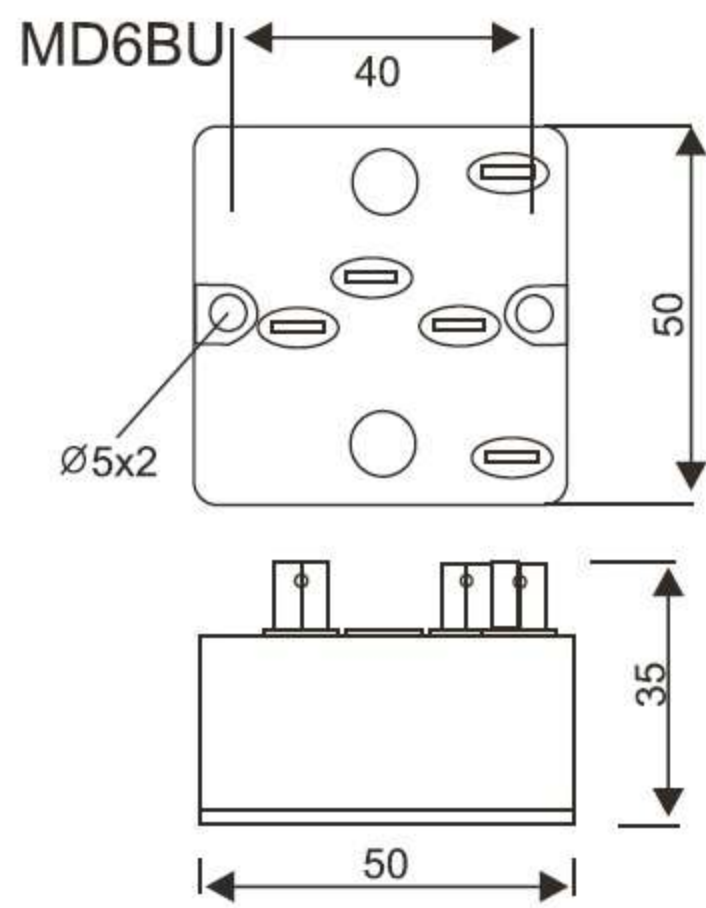
// SINGLE PHASE //

Device Type	V_{RRM} (V)	$I_{F(AV)}$ (A)	T_o/T_c (°C)	V_F (V)	I_F (A)	I_{FSM} (A)	I_{RRM} (A)	I^2t A ² s	T_{vj} (°C)	$R_{th(j-o)}$ (°C/W)	Out-line
MD5BU10	400-1600	10	25	1.30	30	180	5	160	150	4.0	ES-16
MD5BU15	400-1600	15	25	1.30	45	300	5	450	150	4.0	ES-16
MD6BU25	400-1800	29	45	2.2	150	370	5	680	150	0.8	ES-17
MD6BU50	400-1600	47	35	1.6	150	750	10	2800	150	0.71	ES-17
MD6BU60	400-1600	60	110	1.6	150	750	10	2800	150	0.27	ES-17
MD8BU60	400-1600	67	85	1.6	150	1000	10	5000	125	0.21	ES-18
MD8BU100	400-1600	110	85	1.35	150	1100	10	6600	125	0.19	ES-18

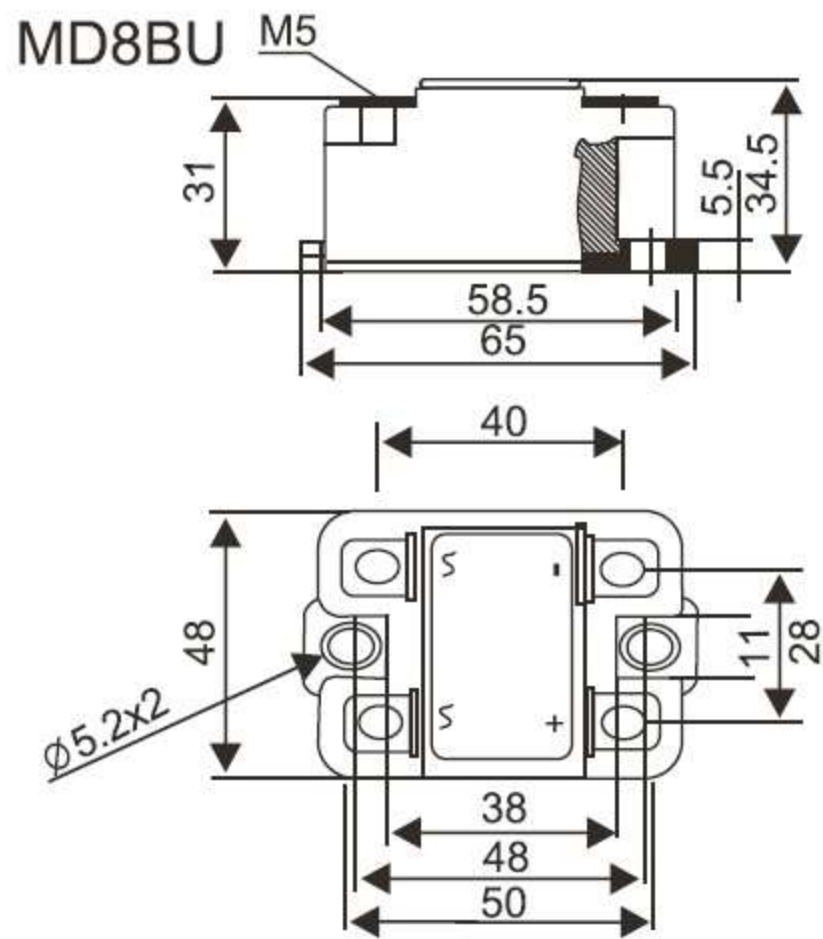
MD5BU



ES 16



ES 17

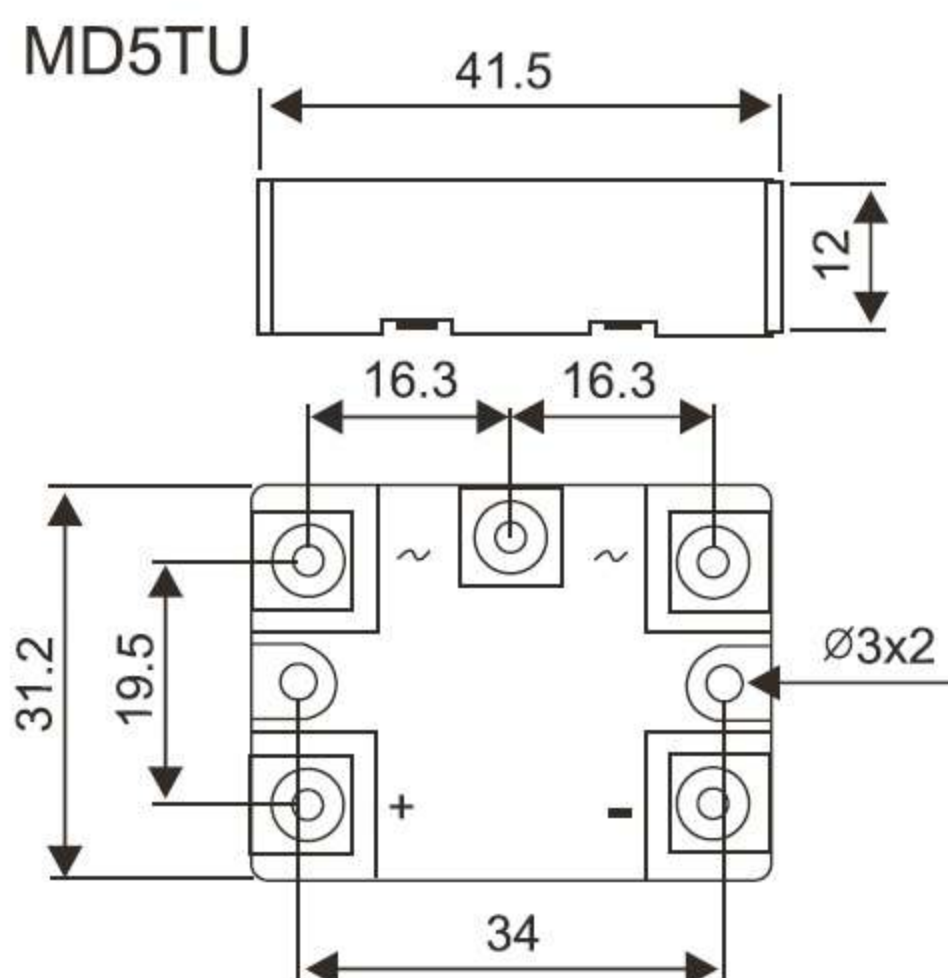


ES 18

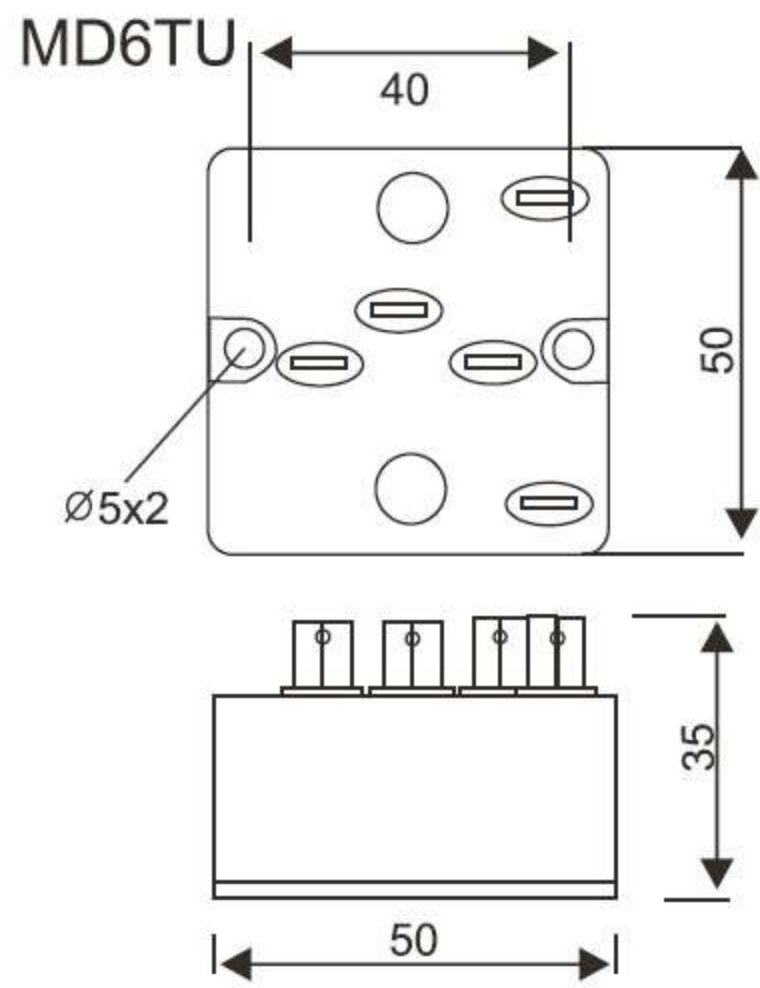
MONO BLOCK BRIDGE RECTIFIERS

// THREE PHASE //

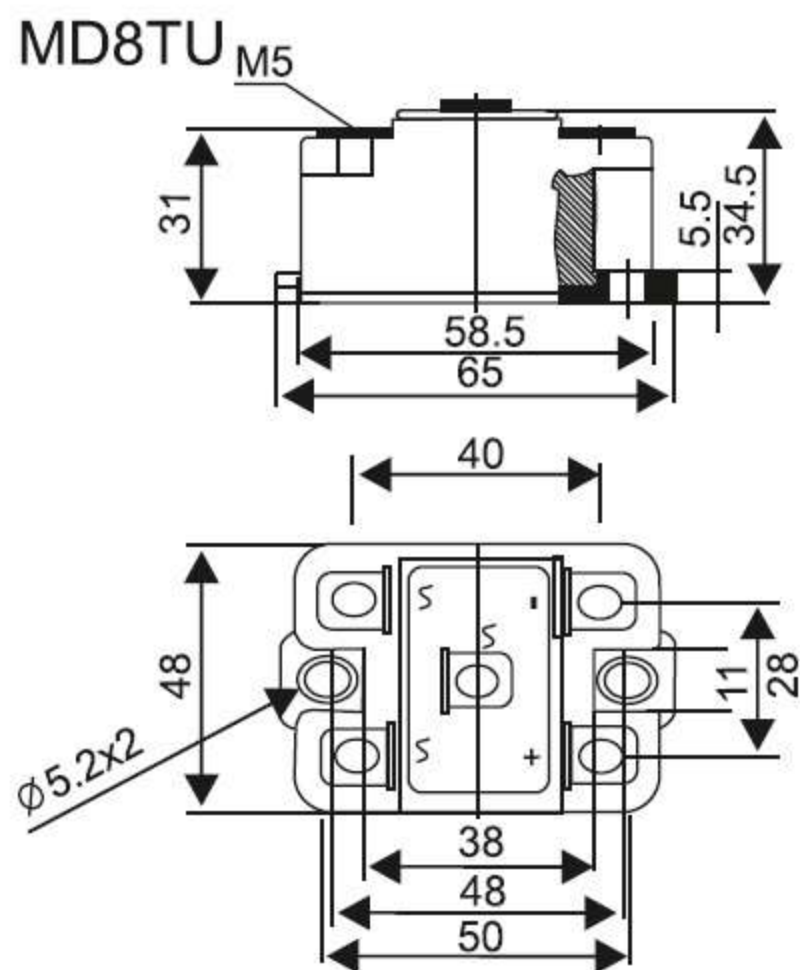
Device Type	V_{RRM} (V)	$I_{F(AV)}$ (A)	T_c / T_c (°C)	V_f (V)	I_f (A)	I_{FSM} (A)	I_{RRM} (A)	I^2t A ² s	T_{vj} (°C)	$R_{th(j-c)}$ (°C/W)	Out-line
MD5TU10	400-1600	15	25	1.75	30	180	5	160	150	3.0	ES-19
MD5TU15	400-1600	19	25	1.30	45	300	5	450	150	3.0	ES-19
MD6TU25	400-1800	31	45	2.2	150	370	5	680	150	0.8	ES-20
MD6TU50	400-1600	60	35	1.6	150	750	10	2800	150	0.51	ES-20
MD6TU60	400-1600	60	110	1.8	150	750	10	2800	150	0.25	ES-20
MD8TU60	400-1600	92	85	1.6	150	1000	10	5000	125	0.21	ES-21
MD8TU100	400-1600	100	100	1.35	150	1100	10	6600	125	0.19	ES-21



ES 19



ES 20



ES 21

PRODUCT CATALOG

2018

CONTACT US



EYTSA

Instrumentación para la Automatización



Electronica y Temporizadores S. A. de C. V.

Avenida Cristobal Colon 509 ote, Zona Centro, 64000
Monterrey, Nuevo Leon, Mexico
(81) 83750041, 83750042

CONNECT WITH US



tempo@eytsa.com

JAS-ANZ



ISO 9001:2015
CERTIFIED