



PRODUCT CATALOG

2018

www.electronicasemiconductors.com

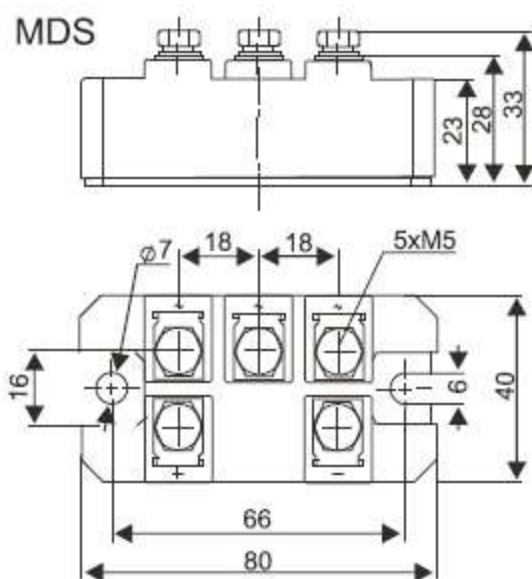


**Electronica Y
Temporizadores**

BRIDGE RECTIFIER MODULES

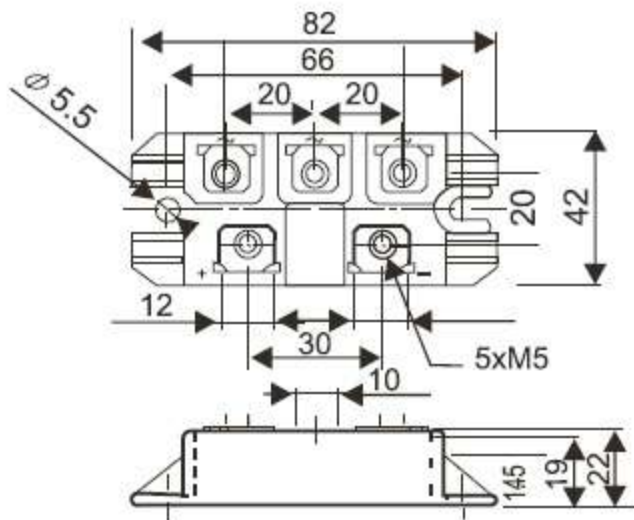
//1- ϕ & 3- ϕ //

Device Type	V _{max} (V)	I _{FMV} (A)	T _C (°C)	V _{RM} (V)	I _{RM} (I)	I _{FSM} (A)	I _{ASM} (mA)	T _{VI} (°C)	R _{θ(j-c)} (°C/W)	Out-line
MDQ 75	1200-1600	75	150	1.25	75	600	8	125	0.24	***
MDQ 100	1200-1600	100	150	1.30	100	1000	8	125	0.20	***
MDS 75	1200-1600	75	150	1.25	75	1000	4	125	0.24	ES-5
MDS 100	1200-1600	100	150	1.30	100	1200	8	125	0.20	ES-5
MDS 100(S)	1200-1600	100	100	1.20	100	1000	15	125	0.20	ES-6
MDS 100 (R)	1200-1600	100	100	1.20	100	1000	15	125	0.20	***
MDS 100 (P)	1200-1600	100	100	1.20	100	1000	15	125	0.20	***
MDS 150	1200-1600	150	102	1.20	150	1500	10	125	0.14	ES-5
MDS 200	1200-1600	200	100	1.35	200	2100	15	125	0.10	ES-7
MDS 300	1200-1600	300	100	1.60	300	2700	20	125	0.10	***



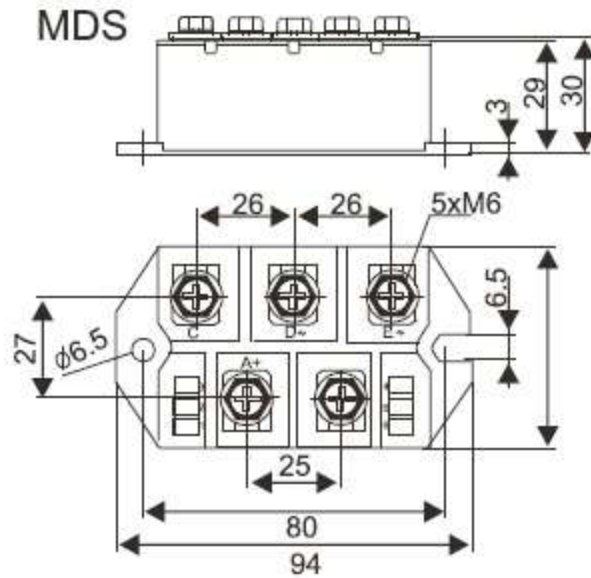
ES 5

MDS(S)



ES 6

MDS



ES 7

PRODUCT CATALOG

2018

CONTACT US



EYTSA

Instrumentación para la Automatización



Electronica y Temporizadores S. A. de C. V.

Avenida Cristobal Colon 509 ote, Zona Centro, 64000
Monterrey, Nuevo Leon, Mexico
(81) 83750041, 83750042

CONNECT WITH US



tempo@eytsa.com

JAS-ANZ



ISO 9001:2015
CERTIFIED