

LED Sign Tower

HANYOUNG NUX

# STE series

## INSTRUCTION MANUAL

Thank you for purchasing HANYOUNG product.  
Please check whether the product is the exactly same as you ordered.  
Before using the product, please read this instruction manual carefully.  
Please keep this manual where you can view at any time

**HEAD OFFICE**  
HANYOUNG NUX CO.,LTD  
28, Gilpa-ro 71beon-gil, Nam-gu, Incheon, Korea  
TEL : (82-32)876-4697 FAX : (82-32)876-4696  
http://www.hynux.com

**INDONESIA FACTORY**  
PT. HANYOUNG ELECTRONIC INDONESIA  
PT. HANYOUNG ELECTRONIC INDONESIA JL. JANGARI RT.003 RW.002 DESA HEGARMAHAH  
SUKALUYU, CIANJUR, JAWA BARAT TEL:(62-21)3049-4013~6 / FAX:(62-21)8911-8126



## Safety information

Alerts declared in the manual are classified to Danger, Warning and Caution by their criticality

<b>⚠ DANGER</b>	DANGER indicates an imminently hazardous situation which, if not avoided, will result in death or serious injury
<b>⚠ WARNING</b>	WARNING indicates a potentially hazardous situation which, if not avoided, could result in death or serious injury
<b>⚠ CAUTION</b>	CAUTION indicates a potentially hazardous situation which, if not avoided, may result in minor or moderate injury

### ⚠ WARNING

- If the user use the product with methods other than specified by the manufacturer, there may be bodily injuries or property damages.
- If there is a possibility of an accident caused by errors or malfunctions of this product, install external protection circuit to prevent the accident.

### ⚠ CAUTION

- This product is only suitable for indoor use. Please keep it away from damp place.
- Please use correct voltage. Over voltage will cause a break down of product.
- Please refer to 'Connection Diagram' when you wire product. Wrong wiring will cause a break down of product.
- Do not pull wire strongly that is outside of product. It will cause a break down of product.
- Big impact on this product will cause a break down of LED units.
- Please do not change parts of product or do not use other product parts. It will cause a break down of product.
- End of unused lead wire must be insulated.
- Contamination by thinner, benzene over lens or top cover will cause a fade in color or transformation in shape.
- Power switch and fuse are not attached to this product. So please install them outside. (Fuse rated : 250 V 0.5 A)

## Suffix code

Model	Code	Description
STE060-	<input type="checkbox"/> <input type="checkbox"/> <input type="checkbox"/> <input type="checkbox"/>	Ø60 LED light source Sign tower
Function	A	Continuous light only
	F	Continuous light, flashing light and buzzer (selected by the external signal)
Power supply voltage	D51	24 V DC
	A11	100 - 240 V AC, 50 - 60 Hz
Stacking modules	1	1 Light (R)
	2	2 Light (R, G)
	3	3 Light (R, Y, G)
	4	4 Light (R, Y, G, B)
	5	5 Light (R, Y, G, B, W)
Supporter selection	L	L type supporter
	E	Elbow type supporter installation (EPM-18)
	M	Plastic supporter (MP-60)
	S	Plastic supporter (ST-011) ※ Option

※ The colors are arranged from top to bottom with the following sequence: red, yellow, green, blue, white. Two kinds of optional functions: continuous light or continuous light, flashing light and buzzer.

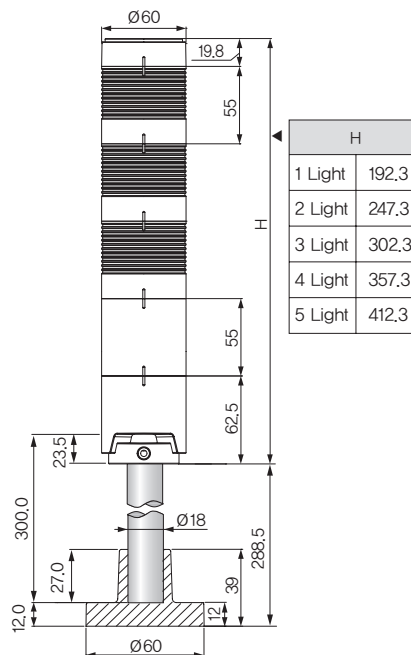
## Specification

Model	STE060-A□□	STE060-F□□
Function	Continuous light only	continuous light, flashing light, buzzer (selected by the external signal)
Number of stacks	1 ~ 5 Light	
Flashing time	-	60 times / 1min
Buzzer melody type	-	Single melody / beeping
Buzzer melody volume	-	85 dB (1 m)
Power supply voltage	24 V DC, 100 - 240 V AC, 50 - 60 Hz	
Power consumption	Approx less than 8 W (5th stack standard, 1.2 W for each stacks)	
Light source	LED	
Radiating angle	360 °	
Lens material	SAN (Styrene Acrylonitrile Copolymers)	
Pipe material	Aluminum	
Lens color	Red, yellow, green, blue and white	
Ambient Temp & Humi	-5 ~ 50 °C, 35 ~ 85 % RH	

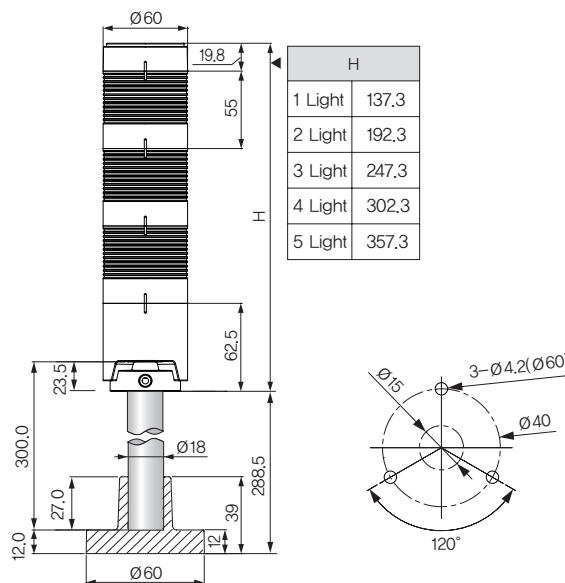
## Dimension

[UNIT : mm]

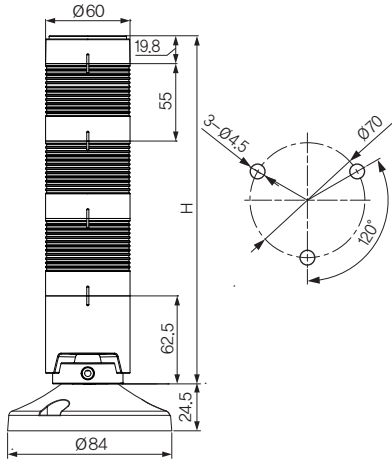
### ■ AC type (MP-60 supporter)



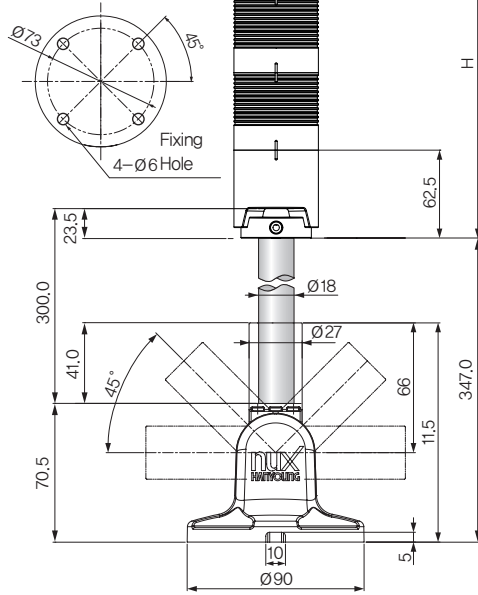
### ■ DC type (MP-60 supporter)



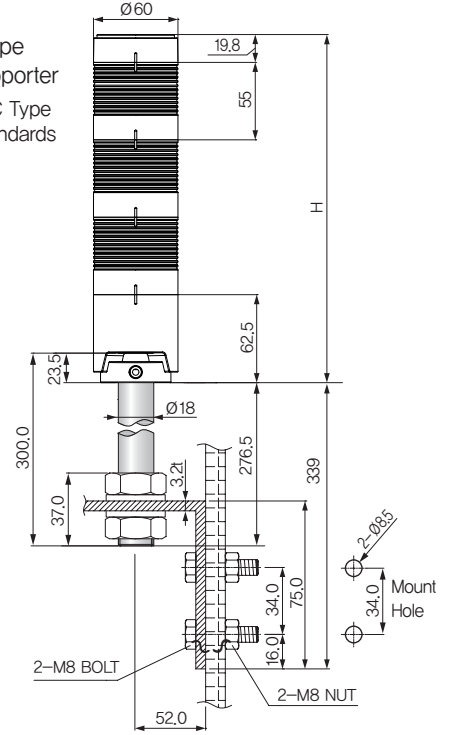
- ST-011 supporter
- ※ DC Type standards



- EPM-18 (Elbow type) supporter
- ※ DC Type standards

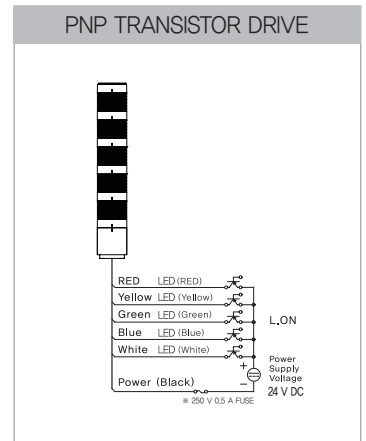
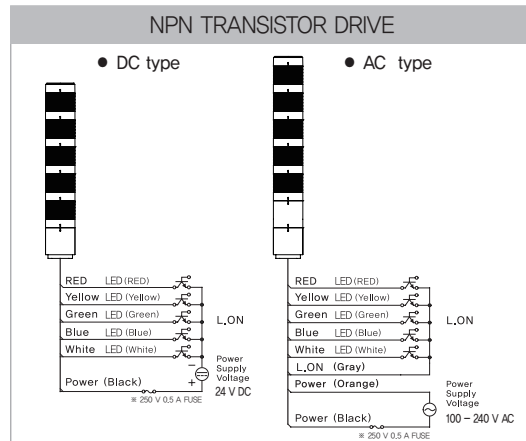
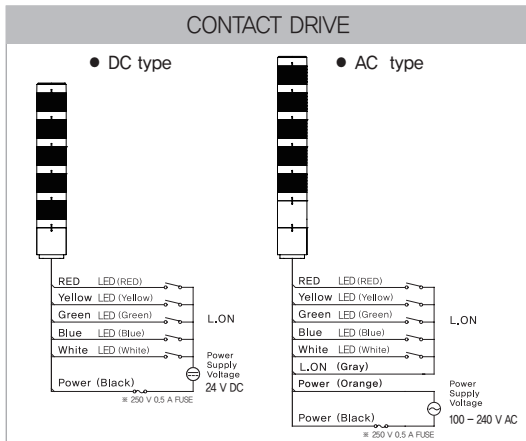


- L type supporter
- ※ DC Type standards

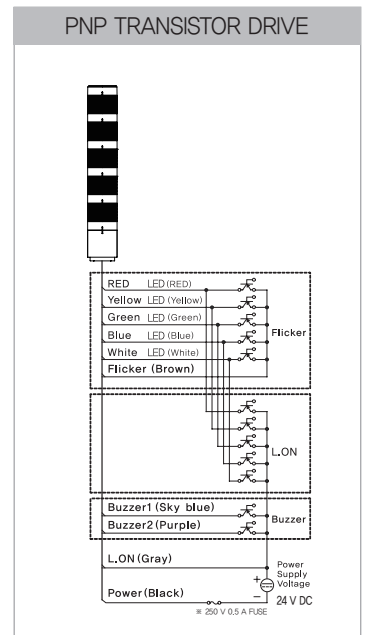
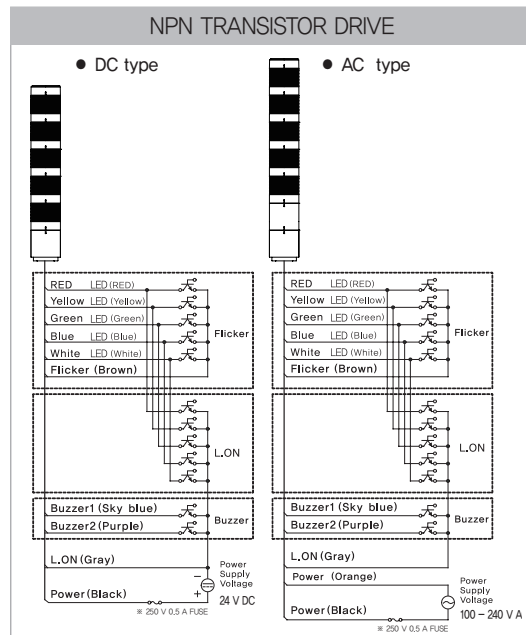
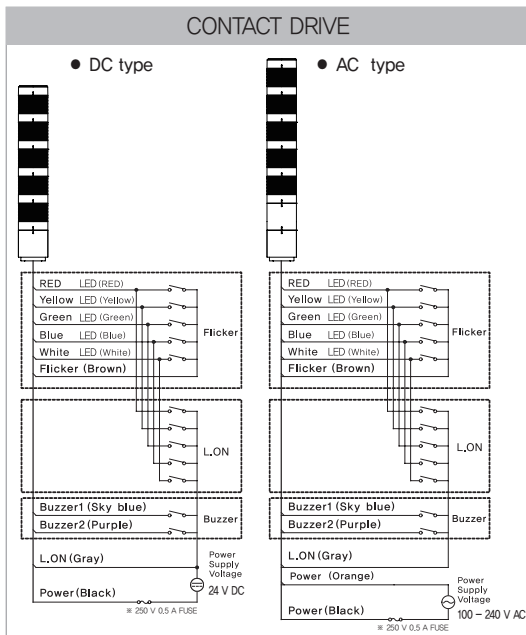


## Connection diagram

- Continuous light only



- Continuous light, Flashing light, Buzzer



- Recommended external drive component

- In case of relay drive, Please use product that has over 100 mA contact capacity of external relay.
- In case of transistor drive, Please use product that has over 40 V allowable voltage for collector / emitter of external transistor. And allowable current of collector is over 100 mA.

## Wiring and how to use

- Before switching on, please make sure all the wire connections are right.
- When you use PNP or NPN Drive and in case of 24 V AC/DC, please pay attention to the polarity.