

## WET & DRY BULB TEMP/HUMIDITY CONVERTER

**HANYOUNG NUX**

# CV250

### INSTRUCTION MANUAL

**HANYOUNGNUX CO.,LTD**  
28, Gilpa-ro 71beon-gil, Michuhol-gu,  
Incheon, Korea TEL : +82-32-876-4697  
http://www.hynux.com

Thank you for purchasing Hanyoung Nux products. Please read the instruction manual carefully before using this product, and use the product correctly. Also, please keep this instruction manual where you can view it any time.

MCV0103KE190416

## Safety information

Please read the safety information carefully before the use, and use the product correctly. The alerts declared in the manual are classified into **Danger**, **Warning** and **Caution** according to their importance

<b>DANGER</b>	Indicates an imminently hazardous situation which, if not avoided, will result in death or serious injury
<b>WARNING</b>	Indicates a potentially hazardous situation which, if not avoided, could result in death or serious injury
<b>CAUTION</b>	Indicates a potentially hazardous situation which, if not avoided, may result in minor injury or property damage

### DANGER

- The input/output terminals are subject to electric shock risk. Never let the input/output terminals come in contact with your body or conductive substances.

### WARNING

- To prevent defecation or malfunction of this product, supply proper power voltage in accordance with the rating.
- Since this product is not designed with explosion-protective structure, do not use it at any place with flammable or explosive gas.
- Please attach or detach the product while the power is OFF. Electric shock, malfunction, defecation might be happened when attaching/detaching the product while power is ON.
- Due to the danger of electric shock, use this product installed onto a panel while an electric current is applied.

### CAUTION

- The contents of this manual maybe changed without prior notification.
- Before using the product you have purchased, check to make sure that it is exactly what you ordered.
- Check to make sure that there is no damage or abnormality of the product during delivery.
- Do not use this product at any place with corrosive (especially noxious gas or ammonia) or flammable gas.
- Do not use this product at any place with direct vibration or impact.
- Do not use this product at any place with liquid, oil, medical substances, dust, salt or iron contents. (Use at Pollution level 1 or 2)
- To avoid inductive noise to input wires separate from the power and the load wire.
- Keep input wire away from output wires. If it is not available, please use shield wire as input wire.
- Tight wiring of power makes it effective to reduce noises.
- If there is excessive noise from the power supply, using insulating transformer and noise filter is recommended. The noise filter must be attached to a panel grounded, and the wire between the filter output side and power supply terminal must be as short as possible.
- When this product is connected to a panel, use a circuit breaker or switch approved with IEC947-1 or IEC947-3.
- Some parts of this product have limited life span, and others are changed by their usage.
- The warranty period for this product including parts is one year if this product is properly used.
- When the power is on, the preparation period of contact output is required. In case of use for signals of external interlock circuit, use with a delay relay.
- When changing this unit to spare unit, please check the spare unit has a same model code.

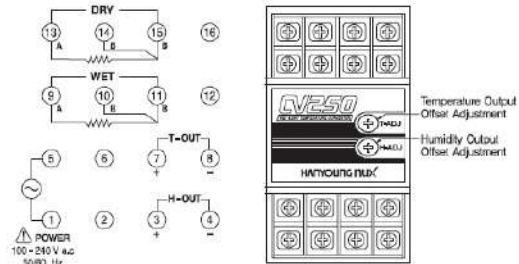
## Suffix code

Model	Code	Description
CV250	C	4 - 20 mA
	V	1 - 5 V

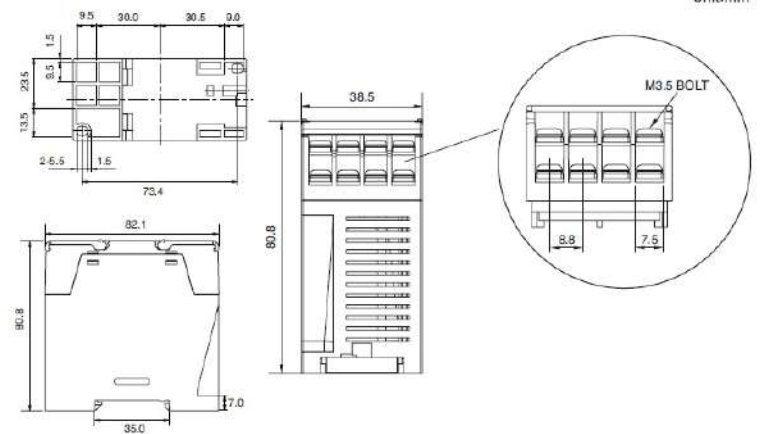
## Specifications

Power supply	100 - 240 VAC, 50 - 60 Hz
Power consumption	3 VA Max.
Input	R.T.D Pt100 $\Omega$ (IEC751) (Dry bulb : 1 contact, Wet bulb : 1 contact)
Measuring range	Temperature : 0 - 100 °C / Humidity : 0 - 100 %R.H
Accuracy	Temperature : $\pm 0.5$ % / Humidity : $\pm 1$ % R.H
Output	4 - 20 mA (Resistive load : 600 $\Omega$ Max.) or 1 - 5 V (Resistive load : 1 k $\Omega$ Min)
Output compensation	Offset compensation by variable resistance $\pm 5$ % (Temp. & Humidity)
Operating ambient temperature	0 - 50 °C
Dimension	29 x 81 x 82 mm (W x L x H)

## Connection example



## Dimensions



Unit:mm