



90.21

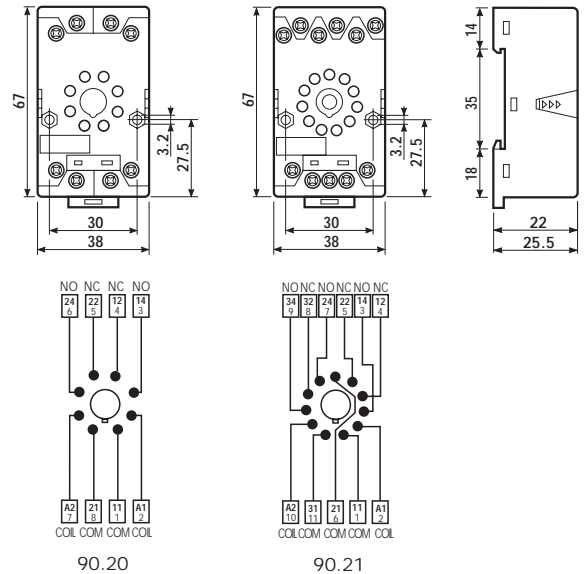
Relay type		60.12	60.13
Clamp terminal socket: panel or 35 mm rail (EN 50022) mount	BLUE	90.20	90.21
	BLACK*	90.20.0	90.21.0
Retaining clip (supplied with socket)		090.33	090.33
Modules		99.01	99.01

Approvals  
(according to type):



- RATED VALUES: 10 A - 250 V
- DIELECTRIC STRENGTH:  $\geq 2$  kV AC
- PROTECTION CATEGORY: IP 20
- AMBIENT TEMPERATURE: (-40...+70)°C
- TORQUE: 0.5 Nm
- MAX WIRE SIZE:

	solid wire	flexible wire
mm <sup>2</sup>	1x6 / 2x2.5	1x6 / 2x2.5
AWG	1x10 / 2x14	1x10 / 2x14



99.01

99 Series modules for 90.20 and 90.21 sockets		BLUE	BLACK*
Diode	(6...220) V DC	99.01.3.000.00	99.01.3.000.00.0
Diode (inverted polarity)	(6...220) V DC	99.01.2.000.00	99.01.2.000.00.0
LED	(6...24) V DC/AC	99.01.0.024.59	99.01.0.024.59.0
LED	(28...60) V DC/AC	99.01.0.060.59	99.01.0.060.59.0
LED	(110...240) V DC/AC	99.01.0.230.59	99.01.0.230.59.0
LED + Diode	(6...24) V DC	99.01.9.024.99	99.01.9.024.99.0
LED + Diode	(28...60) V DC	99.01.9.060.99	99.01.9.060.99.0
LED + Diode	(110...220) V DC	99.01.9.220.99	99.01.9.220.99.0
LED + Diode (inverted polarity)	(6...24) V DC	99.01.0.024.79	99.01.0.024.79.0
LED + Diode (inverted polarity)	(28...60) V DC	99.01.9.060.79	99.01.9.060.79.0
LED + Diode (inverted polarity)	(110...220) V DC	99.01.9.220.79	99.01.9.220.79.0
LED + Varistor	(6...24) V DC/AC	99.01.0.024.98	99.01.0.024.98.0
LED + Varistor	(28...60) V DC/AC	99.01.0.060.98	99.01.0.060.98.0
LED + Varistor	(110...240) V DC/AC	99.01.0.230.98	99.01.0.230.98.0
RC	(6...24) V DC/AC	99.01.0.024.09	99.01.0.024.09.0
RC	(28...60) V DC/AC	99.01.0.060.09	99.01.0.060.09.0
RC	(110...240) V DC/AC	99.01.0.230.09	99.01.0.230.09.0
No - remanence	(110...240) V AC	99.01.8.230.07	99.01.8.230.07.0

\*Available on request



90.73

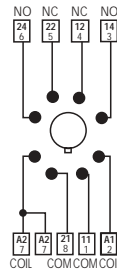
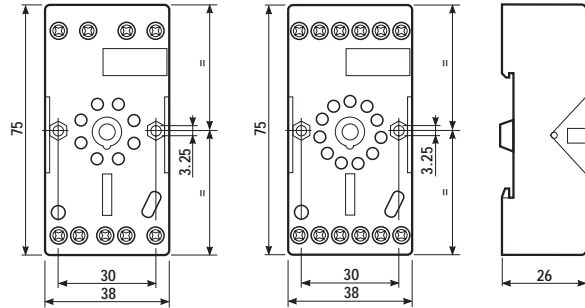
Approvals  
(according to type):



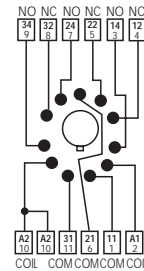
- Double ground terminal (A2).
- RATED VALUES: 10 A - 250 V
- DIELECTRIC STRENGTH:  $\geq 2$  kV AC
- PROTECTION CATEGORY: IP 20
- AMBIENT TEMPERATURE: (-40...+70)°C
- TORQUE: 0.8 Nm
- MAX WIRE SIZE:

	solid wire	flexible wire
mm <sup>2</sup>	1x6 / 2x4	1x6 / 2x4
AWG	1x10 / 2x12	1x10 / 2x12

Relay type	60.12	60.13
Clamp terminal socket: panel or 35 mm rail (EN 50022) mount	BLUE	90.73
	BLACK*	90.73.0
Retaining clip (supplied with socket)	090.33	090.33
Modules	99.73	99.73
Timer module	86.60	86.60



90.72



90.73



90.23

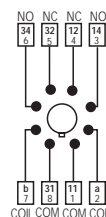
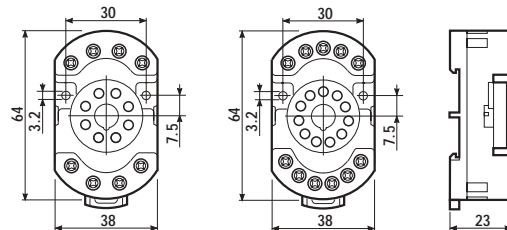
Approvals  
(according to type):



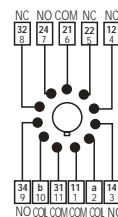
- RATED VALUES: 10 A - 250 V
- DIELECTRIC STRENGTH:  $\geq 2$  kV AC
- PROTECTION CATEGORY: IP 20
- AMBIENT TEMPERATURE: (-40...+70)°C
- TORQUE: 0.5 Nm
- MAX WIRE SIZE:

	solid wire	flexible wire
mm <sup>2</sup>	1x6 / 2x2.5	1x6 / 2x2.5
AWG	1x10 / 2x14	1x10 / 2x14

Relay type	60.12	60.13
Clamp terminal socket: panel or 35 mm rail (EN 50022) mount	90.22	90.23
Retaining clip (supplied with socket)	090.33	090.33



90.22



90.23

\*Available on request



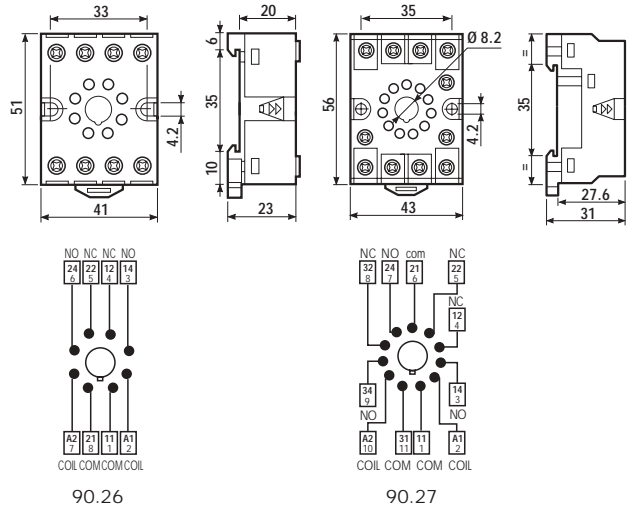
Relay type	60.12	60.13
Screw terminal socket: panel or 35 mm rail (EN 50022) mount	BLUE	90.26
	BLACK*	90.26.0
Retaining clip (supplied with socket)	090.33	090.33

Approvals  
(according to type):



- RATED VALUES: 10 A - 250 V
- DIELECTRIC STRENGTH:  $\geq 2$  kV AC
- PROTECTION CATEGORY: IP 20
- AMBIENT TEMPERATURE: (-40...+70)°C
- TORQUE: 0.8 Nm
- MAX WIRE SIZE:

	solid wire	flexible wire
mm <sup>2</sup>	1x4 / 2x2.5	1x4 / 2x2.5
AWG	1x12 / 2x14	1x12 / 2x14

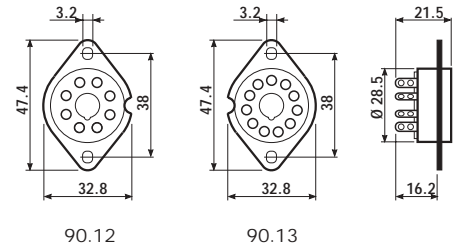


Relay type	60.12	60.13
Flange mount solder socket mount with M3 screw	90.12	90.13

Approvals  
(according to type):



- RATED VALUES: 10 A - 250 V
- DIELECTRIC STRENGTH:  $\geq 2$  kV AC
- AMBIENT TEMPERATURE: (-40...+70)°C

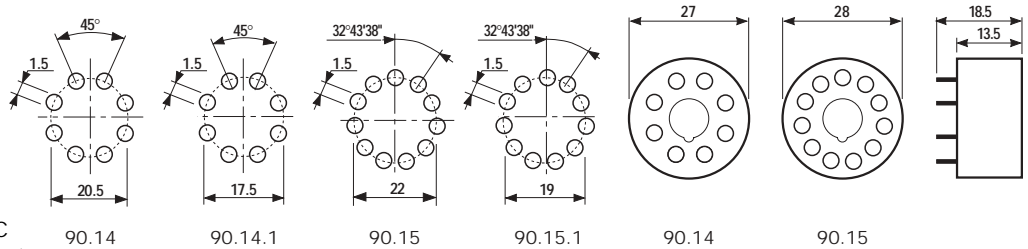


Relay type	60.12	60.13
P.C.B. socket	BLUE	90.14
	BLUE	90.14.1 (Ø 17.5mm)
		90.15.1 (Ø 19mm)

Approvals  
(according to type):



- RATED VALUES: 10 A - 250 V
- DIELECTRIC STRENGTH:  $\geq 2$  kV AC
- AMBIENT TEMPERATURE: (-40...+70)°C



Sheet of marker tags for types 60.12 and 60.13 (72 tags)	060.72
--	--------

\*Available on request